

JVC

DLA-NX7

Native 4K Home Theater Projector

4K

4K THAT RIVAL'S REALITY



JVC's new DLA-NX7 is a high quality Native 4K home theater projector that features new, improved 0.69 inch D-ILA devices coupled with a 17-element, 15-group all glass 65 mm lens. It takes advantage of high contrast, high brightness, and a host of color reproduction features that ensure dynamic and realistic images. Even those demanding movie theater quality reproduction will be impressed with the images produced by the DLA-NX7.

KEY FEATURES

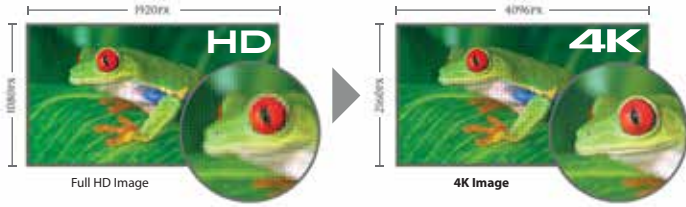
- 1,900 Lumens with High Power Lamp (PK-L2618U)
- 80,000:1 Native Contrast Ratio for deep blacks
- New 0.69 inch Native 4K D-ILA Devices (x3)
- 17-element, 15-group all-glass 65 mm diameter high quality lens
- Two 18Gbps HDMI/HDCP 2.2 Compatible Inputs
- ISF (Imaging Science Foundation) Licensed
- HDR10 Compatibility with Auto Tone Mapping
- Wide Color Gamut (Over 100% DCI P3)
- Improved Clear Motion Drive with Motion Enhance
- Improved Multiple Pixel Control (MPC) — MPC works with 4K60P (4:4:4) signals
- Low Latency Mode improves picture, speeds operation, and reduces gaming/PC frame delays
- New Installation Mode simplifies setup and memorizes up to 10 customizable picture preferences
- Control: Control4 SDDP / LAN / RS-232C / IR / 12V Screen Trigger Output / 3D Sync Output
- 3 Year Advanced Replacement Warranty

Precision

D-ILA HDR Control4 ISF

4K Stunning Native 4K Resolution

The JVC DLA-NX7 home theater projector features Native 4K resolution that delivers images that truly rival reality. Images are so detailed, and so smooth you won't believe your eyes.



D-ILA® New 0.69 Native 4K D-ILA Devices

JVC's new 0.69 inch Native 4K D-ILA Device provides the sharpest home theater image available in the market. The Native 4K D-ILA device with 3.8µm pixel pitch exceeds 4 times Full HD resolution, displaying over 8.8 million pixels (4096 x 2160 pixels). With original vertical orientation technology and a planarization technique that reduces light scattering and light diffraction, the device realizes a very high native contrast ratio for a unique, Native 4K image. The result is smooth images without visible pixels even on very large screens.

An Incredible Lens Delivers 4K

The DLA-NX7 is equipped with a 65 mm diameter lens which adopts an all glass design with 17 elements in 15 groups, realizing a high-resolution image with focus up to the periphery of the screen.



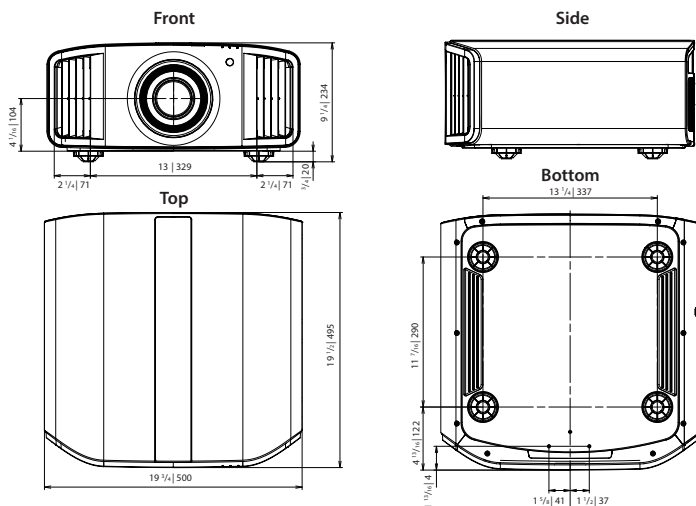
A Perfect Combination for Spectacular Contrast

The new 0.69 inch Native 4K D-ILA device and optical engine with wire grid polarizers achieve a native contrast ratio greater than 80,000:1. In combination with JVC's "Intelligent Lens Aperture" which analyzes the input image and automatically controls the black level, the DLA-NX7 is able to deliver a spectacular dynamic contrast of 800,000:1 for an immersive viewing experience.

4K Anamorphic Scaling

This projector is compatible with commercially available anamorphic lenses and ultra-wide format screens for an immersive movie theater experience. It also features a new scaling mode that is optimized for the full native 4096 x 2160 (17 x 9) resolution of the D-ILA device.

External Dimensions (unit: inches/mm)



• The projector is equipped with a new super-high pressure mercury lamp, which may break, emitting a loud noise, when it is subjected to shock or after it has been used for some length of time. • Please note that, depending on how the projector is used, there can be considerable difference between individual lamps regarding how many hours they will operate before requiring replacement. • An additional payment is required for installation of a new lamp, if necessary. • The projector lamp requires periodic replacement and is not covered by the projector's warranty. • The lamp warranty is one year or 1000 hours, whichever comes first. • Please be aware that, because the D-ILA device is manufactured using highly advanced technologies, 0.01% or fewer of the pixels may be non-performing (always on or off). • Design and specifications are subject to change without notice. • All pictures on this brochure are simulated. • HDMI, the HDMI logo and High-Definition Multimedia Interface are registered trademarks of HDMI Licensing LLC. • All other brand or product names may be trademarks and/or registered trademarks of their respective owners. • Any rights not expressly granted herein are reserved.

Copyright © 2018, JVCKENWOOD Corporation. All Rights Reserved.

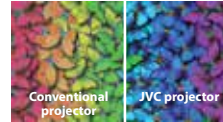
HDR HDR compatibility w/Auto Tone Mapping

The DLA-NX7 is compatible with HDR10 for content such as UHD Blu-ray and HLG (Hybrid Log-Gamma) content adopted in broadcasting. It is also equipped with a new feature, "Auto Tone Mapping" that automatically adjusts settings based on the mastering information included in HDR content. This feature enables different HDR images to be viewed optimally for specific content.



Superior Color Performance and Contrast

JVC's latest lineup of projectors incorporate many functions that enhance the color, brightness and contrast performance.



Cinema Filter helps the projector achieve a wide color gamut beyond DCI-P3 as well as BT.709 for exceptionally rich colors



Auto Calibration optimizes image quality under various installation conditions and also compensates for the changing color balance in long-term projector usage



Vibrant and dynamic imagery comes from the ultra-high pressure mercury lamp, highly efficient optical engine, luminance of 1,900 lm and narrow pixel gap of the D-ILA device

Installation Mode

The DLA-NX7 is equipped with a new "Installation Mode" that saves and recalls up to 10 different combinations of lens settings for different aspect ratios, lens presets, convergence and screen masking positions.

Optional Equipment



PK-L2618U
High Power Lamp
(NSH 265W)



PK-AG3
RF 3D Glasses
Battery-operated



PK-EM2
RF 3D Synchro
Emitter

Specifications

		DLA-NX7
Imaging device		0.69 in D-ILA Device (4096 × 2160) ×3
Native 4K		Yes
Resolution		4096 x 2160
Lens		2X Motorized 65 mm
Lens Shift		Motorized Shift±80% Vertical and ±34% Horizontal
Light Source		NSH 265W Lamp (Lamp life: approx. 4500 hours when the lamp is in Low mode)
Contrast Ratio		Native: 80,000:1 Dynamic: 800,000:1
Input Terminals	HDMI	2 (Full Speed 18Gbps HDMI/HDCP 2.2 Compatible w/HDR)
Output Terminals	3D Sync	1 (Mini DIN 3pin)
	Trigger	1 (Mini jack, DC12V/100mA)
Control Terminals	RS-232C	1 (D-sub 9pin)
	LAN (RJ-45)	1
Digital Video Signal		480p, 576p, 720p/50 Hz, 720p/60 Hz, 1080i/50 Hz, 1080i/60 Hz, 1080p/24 Hz, 1080p/50 Hz, 1080p/60 Hz, 3840x2160/24Hz, 3840x2160/25Hz, 3840x2160/30Hz, 3840x2160/50Hz*, 3840x2160/60Hz*, 4096x2160/24Hz, 4096x2160/25Hz, 4096x2160/30Hz, 4096x2160/50Hz*, 4096x2160/60Hz*
3D Signal	Frame Packing	720p/50 Hz, 720p/60 Hz, 1080p/24 Hz
	Side-by-Side	1080i/60 Hz, 1080p/60 Hz, 1080i/50 Hz, 1080p/50 Hz, 1080p/24 Hz, 720p/50 Hz, 720p/60 Hz
	Top-and-Bottom	720p/50 Hz, 720p/60 Hz, 1080p/24 Hz
Dimensions (WxHxD-inches)		19 3/4 x 9 1/4 x 19 1/2
Weight (net)	(lbs)	44

*When the color space is RGB/Y'CbCr(4:4:4), only 8-bit input is supported.